
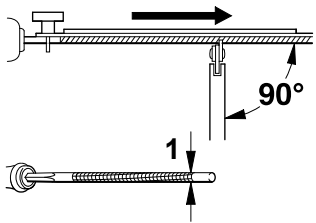
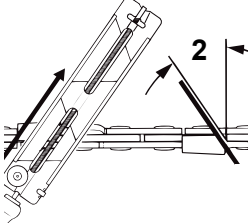
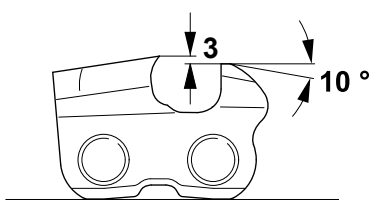
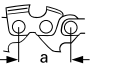

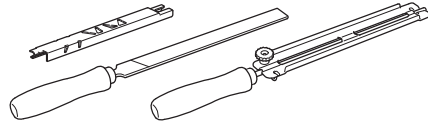


<b>STIHL Oilomatic-</b> 				
	$t = a : 2$ 	1	2	3
<b>1/4" Picco</b> (6,35 mm)	71 PM3	<b>3,2 mm (1/8")</b>	30°	0,45 mm (0.018")
<b>1/4"</b> (6,35 mm)	13 RM, 13 RMS	<b>4,0 mm (5/32")</b>	30°	0,65 mm (0.025")
<b>3/8" Picco</b> (9,32 mm)	61 PMM3, 63 PS, 63 PS3, 63 PM, 63 PM3, 63 PMY, 63 PMX	<b>4,0 mm (5/32")</b>	30° 30° 10°	0,65 mm (0.025") 0,65 mm (0.025") 0,65 mm (0.025")
<b>.325"</b> (8,25 mm)	23 RM, 23 RM3, 25 RM, 25 RM3, 26 RM, 26 RM3, 23 RS, 25 RS, 26 RS	<b>4,8 mm (3/16")</b>	30° 30° 30°	0,65 mm (0.025") 0,65 mm (0.025") 0,65 mm (0.025")
<b>3/8"</b> (9,32 mm)	33 RM, 35 RM, 36 RM, 33 RMF, 33 RM3, 36 RM3, 33 RSK, 33 RS, 33 RS3, 35 RS, 36 RSK, 36 RS, 36 RS3, 33 RSF, 35 RSF, 36 RSF, 36 RMX	<b>5,2 mm (13/64")</b>	30° 30° 30° 30° 30° 10°	0,65 mm (0.025") 0,65 mm (0.025") 0,65 mm (0.025") 0,65 mm (0.025") 0,65 mm (0.025") 0,65 mm (0.025")
<b>.404"</b> (10,26 mm)	46 RC, 46 RCK, 46 RM, 46 RMF, 46 RMK, 46 RS, 46 RSK, 45 RSF, 46 RSF, 46 RCX, 46 RCXK, 46 RMX	<b>5,5 mm (7/32")</b>	30° 30° 10°	0,80 mm (0.030") 0,80 mm (0.030") 0,80 mm (0.030")



	7	6, P, PM	2, 325	3, 3/8	4, 404
	1/4" P	3/8" P 1/4"	.325"	3/8"	.404"
	Ø 3,2 mm (1/8")	Ø 4,0 mm (5/32")	Ø 4,8 mm (35/16")	Ø 5,2 mm (13/64")	Ø 5,5 mm (13/64")

